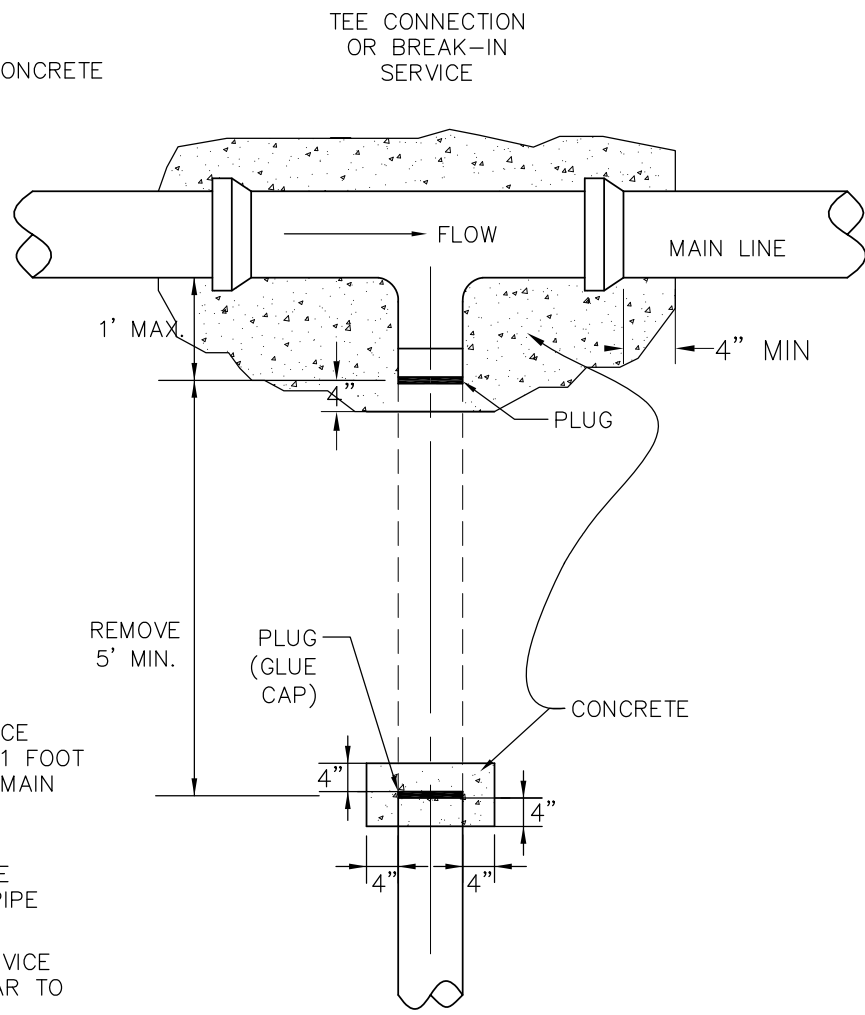
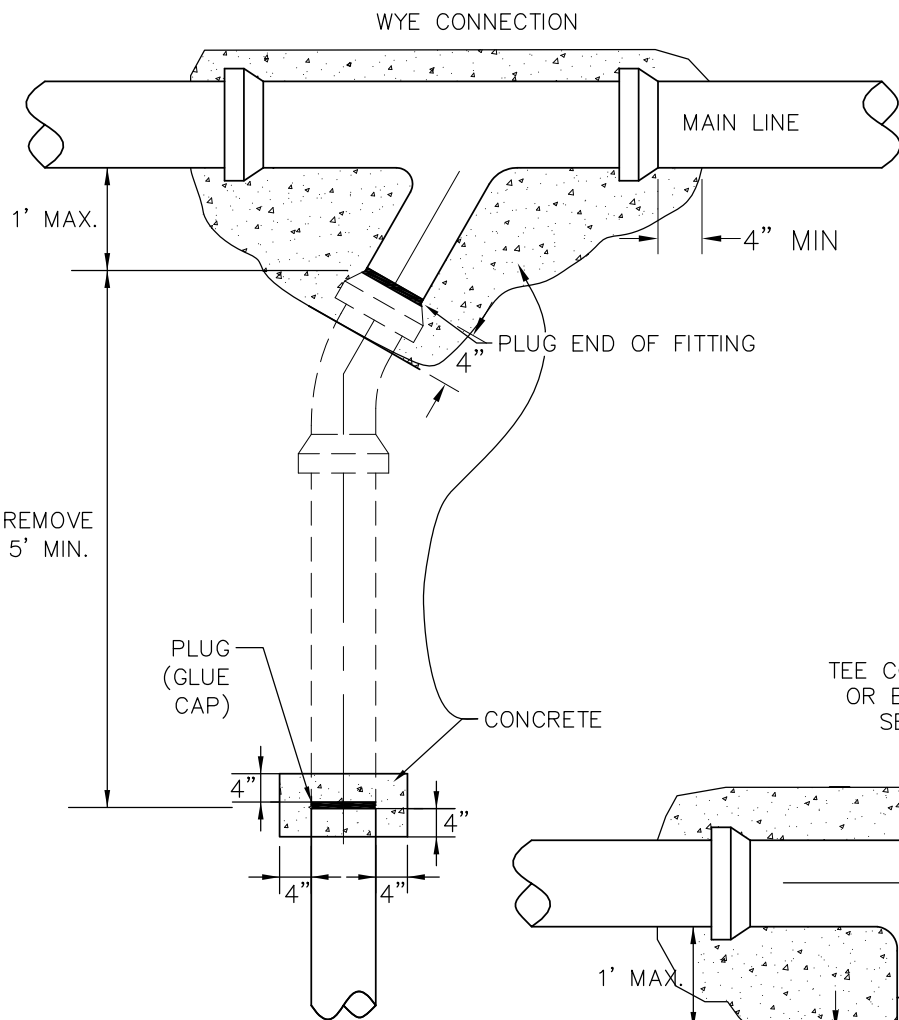


No. XREFs
 I: \\Key_Std\SAS\Details\dwg\Sasd-PRI-11s.dwg



GENERAL NOTES:

1. REMOVE MINIMUM 5 FEET OF SERVICE PIPE. FIELD CUT SERVICE PIPE AT 1 FOOT MAXIMUM FROM OUTSIDE EDGE OF MAIN LINE.
2. INSTALL PLUGS AT CUT SERVICE CONNECTIONS AND POUR CONCRETE COLLAR 4 INCHES EACH SIDE OF PIPE END, MINIMUM 4 INCHES THICK.
3. POUR CONCRETE AROUND CUT SERVICE CONNECTION AND CONCRETE COLLAR TO SUPPORT WEIGHT.

Kennedy/Jenks Consultants

Engineers & Scientists

143 Union Boulevard
 Suite 600
 Lakewood, CO 80226
 303 985 3636 TEL.
 303 985 3800 FAX



SOUTH ARAPAHOE
 SANITATION DISTRICT

www.southarapahoe.org

**SERVICE LINE
 ABANDONMENT
 DETAIL**

DRAWING NO.: SASD-PRI-11S DATE: 10/11