

"WYE" SADDLE ONLY, FOR PVC PIPE, SOLVENT WELD SADDLE TO PIPE. SAWCUT PIPE OPENING TO MATCH "Y" FITTING SHAPE. POUR CONCRETE COLLAR AROUND SADDLE

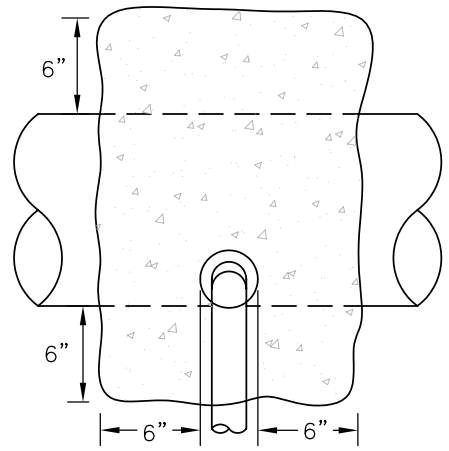
"TEE" OR "WYE" SADDLE FOR VITRIFIED CLAY AND REINFORCED CONCRETE PIPE. FACE SEALING GASKET TYPE SADDLE FITTING. POUR CONCRETE COLLAR AROUND SADDLE.

10 O'CLOCK

2 O'CLOCK

3'-0 MIN.

3'-0 MIN.

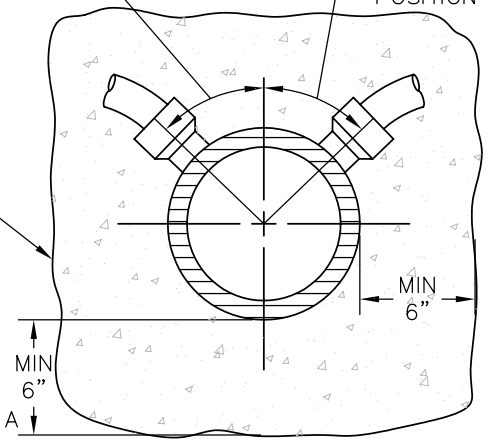


PLAN VIEW

10 O'CLOCK POSITION

2 O'CLOCK POSITION

ENCASE SERVICE CONNECTION WITH CONCRETE



SECTION A-A

GENERAL NOTES:

1. SANITARY SEWER SERVICE TAPS SHALL BE LOCATED ON THE MAIN AT THE 2 O'CLOCK OR 10 O'CLOCK POSITION.
2. THE MINIMUM DISTANCE BETWEEN ANY TWO CONSECUTIVE FITTINGS SHALL BE 3', MEASURED BETWEEN FITTING CENTERLINES.
3. SANITARY SEWER SERVICE TAPS SHALL NOT BE MADE WITHIN 3' OF A PIPE JOINT, OR WITHIN 3' OUTSIDE LIMITS OF MANHOLE STRUCTURES. WHERE PIPE JOINTS ARE LESS THAN 6' APART, ONE SERVICE SHALL BE CENTERED BETWEEN JOINTS.
4. SERVICE CONNECTIONS TO MANHOLES SHALL BE PERFORMED IN ACCORDANCE WITH SASD STANDARD DETAIL "SERVICE CONNECTION TO DEAD-END MANHOLE".
5. CARE SHALL BE TAKEN WHEN EXCAVATING AND COMPACTING AROUND EXISTING LINES. SHOULD A LINE BE BROKEN, THE DISTRICT ENGINEER SHALL BE NOTIFIED IMMEDIATELY AND REPAIR PROCEDURES COORDINATED WITH THE CONTRACTOR.

CONNECTION TO PVC MAINS:

1. TAPPING AN EXISTING PVC PIPE REQUIRES A LONG BODY STYLE WYE SADDLE WITH TWO STAINLESS STEEL STRAPS. THE "WYE" SADDLE SHALL BE FURNISHED WITH A RUBBER GASKET AND THE SADDLE SHALL BE SOLVENT WELDED TO THE PIPE. THE ENTIRE INSTALLATION SHALL BE ENCASED IN CONCRETE A MINIMUM 6" EACH SIDE OF SERVICE AND 6" AROUND PIPE MAIN.
2. "TEE" STYLE FITTINGS ON PVC PIPE ARE NOT PERMITTED EXCEPT BY WRITTEN PERMISSION OF THE DISTRICT.

CONNECTION TO VITRIFIED CLAY AND REINFORCED CONCRETE PIPE MAINS:

1. TAPPING OF EXISTING CONCRETE OR VITRIFIED CLAY PIPE REQUIRES A PIPE CUTTER TO CORE THE TAP CONNECTION HOLE AND A PVC TEE OR LONG BODY WYE SADDLE WITH TWO STAINLESS STEEL STRAPS. THE SADDLE SHALL BE PROVIDED WITH A RUBBER GASKET. THE ENTIRE INSTALLATION SHALL BE ENCASED IN CONCRETE A MINIMUM 6" EACH SIDE OF SERVICE AND 6" AROUND PIPE.
2. THE CORE METHOD COULD ALSO USE A CORE AND SEAL BOOT INSTEAD OF A PVC TEE FITTING. THIS METHOD MUST BE APPROVED BY DISTRICT ENGINEER PRIOR TO CONSTRUCTION.

No XREFs  
I: \Key\_Std\SAS\Details\dwg\Sasd-PRI-2s.dwg

**Kennedy/Jenks Consultants**

**Engineers & Scientists**

143 Union Boulevard  
Suite 600  
Lakewood, CO 80228  
303 985 3636 TEL.  
303 985 3800 FAX



**SOUTH ARAPAHOE**  
**SANITATION DISTRICT**

www.southarapahoe.org

**SEWER  
SERVICE CONNECTIONS  
TO EXISTING  
MAINS**