

CUT AND REMOVE PVC PIPE FROM BASE AREA

MANHOLE SECTION

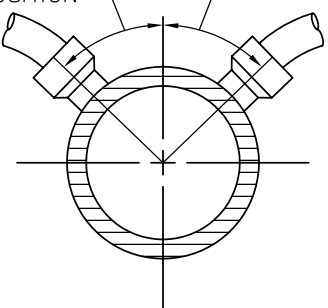
CONCRETE INVERT IN BASE AREA

MANHOLE BENCH

SERVICE CONNECTION

TYPICAL FOR EACH PIPE; WATERSTOP GASKET ON PIPE IN BASE POUR

AT 10 O'CLOCK POSITION



AT 2 O'CLOCK POSITION

6" MIN. TO 18" MAX.

SERVICE CONNECTION

PIPE STUB OUT OF WYE FITTING

CAP MAIN LINE PIPE.

A

INLET WYE FITTING

SECTION A-A

NOTE:
TAPS IN STAGGERED CONFIGURATION AT 10 O'CLOCK OR 2 O'CLOCK POSITION.

NOTES:

1. CONTINUE PIPE LAYING AT SAME ALIGNMENT AND GRADE THROUGH THE MANHOLE AND INSTALL AN INLINE WYE FITTING AT 10 O'CLOCK OR 2 O'CLOCK POSITION. INSTALL PLUG AT WYE FITTING OR USE THE ALTERNATE METHOD OF A PIPE STUB AND CAP.
2. CUT AND REMOVE PVC PIPE IN MANHOLE FROM SPRINGLINE TO TOP OF PIPE AND GROUT EDGES OF CUT PIPE TO INVERT AFTER BASE HAS BEEN POURED AND CONCRETE HAS SET.
3. ONLY ONE SERVICE CONNECTION IS ALLOWED PER DEAD-END MANHOLE.

No. XREFs i: \Key_Std\SAS\Details\dwg\Sasd-PRI-3s.dwg

Kennedy/Jenks Consultants
Engineers & Scientists
143 Union Boulevard
Suite 600
Lakewood, CO 80226
303 985 3638 TEL.
303 985 3800 FAX



SOUTH ARAPAHOE
SANITATION DISTRICT
www.southarapahoe.org

SERVICE CONNECTIONS TO DEAD-END MANHOLES