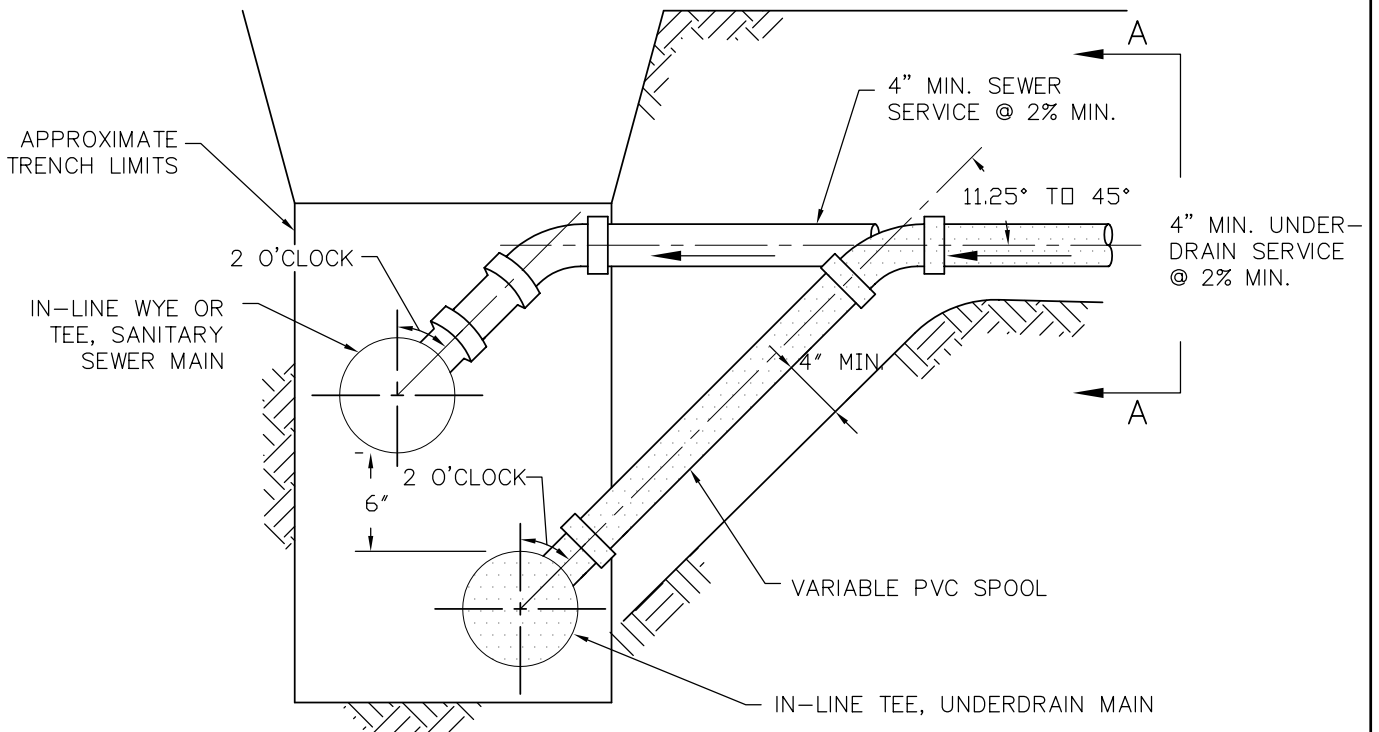


CONNECTION TO THE LEFT



CONNECTION TO THE RIGHT

No XREFs
I:\Key_Std\SAS\Details\dwg\Sasd-PRI-5s.dwg

Kennedy/Jenks Consultants
Engineers & Scientists

149 Union Boulevard
Suite 600
Lakewood, CO 80228
303 985 3636 TEL
303 985 3800 FAX



SOUTH ARAPAHOE
SANITATION DISTRICT

www.southarapahoe.org

**SANITARY SEWER
SERVICE CONNECTIONS
WITH UNDERDRAIN**
2 of 2

DRAWING NO.: SASD-PRI-6S DATE: 5/08