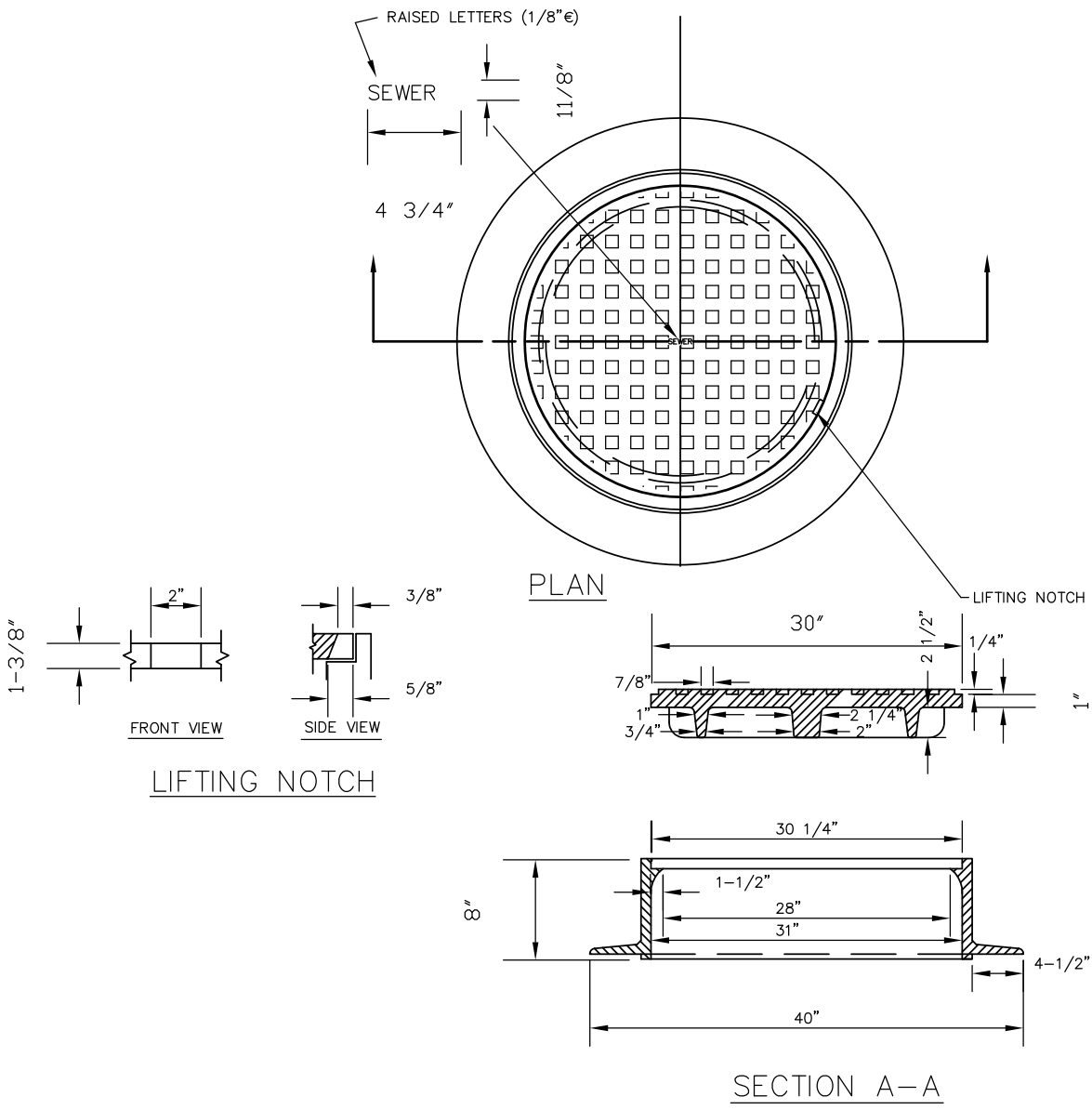


No. XREFs
 I: \\Key_Std\SAS\Details\dwg\Sasd-PUB-10s.dwg



NOTE:

- | | |
|---|--|
| <ol style="list-style-type: none"> 1. CASTING SPECIFICATIONS: ASTM A-48 WITH A MINIMUM TENSILE STRENGTH OF 25 KSI (CLASS 25) PER CITY OF CENTENNIAL STANDARDS 2. ALL CASTINGS TO BE DIPPED IN ASPHALT BASE PAINT (OR APPROVED EQUAL) 3. TOP OF MANHOLE COVER SHALL BE 1/4" TO 1/2" BELOW GRADE OR PER CITY/COUNTY REQUIREMENTS | <ol style="list-style-type: none"> 4. ALL BEARING SURFACES TO BE MACHINED. 5. LETTERING ON COVER AS REQUIRED (WATER,SEWER) 6. TOTAL MINIMUM WT. APPROX. 630 LBS. 7. COMCO CAT #C1360 OR EQUAL 8. LIFTING NOTCH SHALL NOT EXTEND PAST INSIDE FACE OF RING. |
|---|--|

Kennedy/Jenks Consultants
 Engineers & Scientists
 143 Union Boulevard
 Suite 600
 Lakewood, CO 80228
 303 986 3636 TEL.
 303 986 3800 FAX

SOUTH ARAPAHOE
 SANITATION DISTRICT

www.southarapahoe.org

**30" MANHOLE
 RING & COVER
 DETAIL**