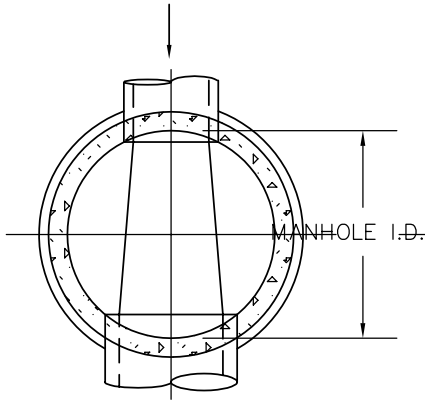
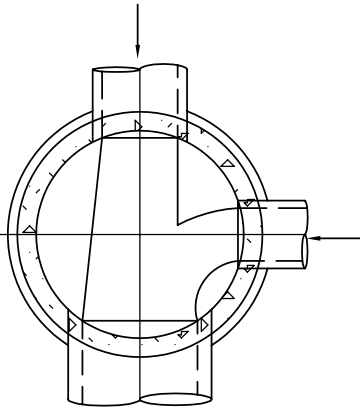


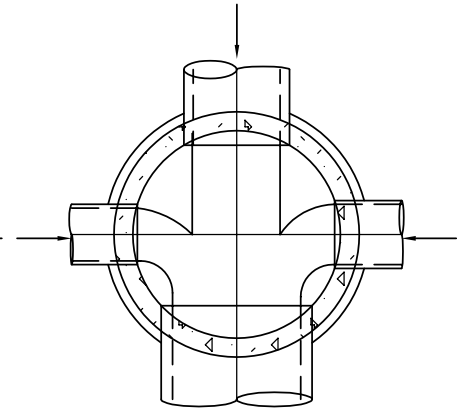
No XREFs
 I:\Key_Std\SAS\Details\dwg\Sasd-PUB-12s.dwg



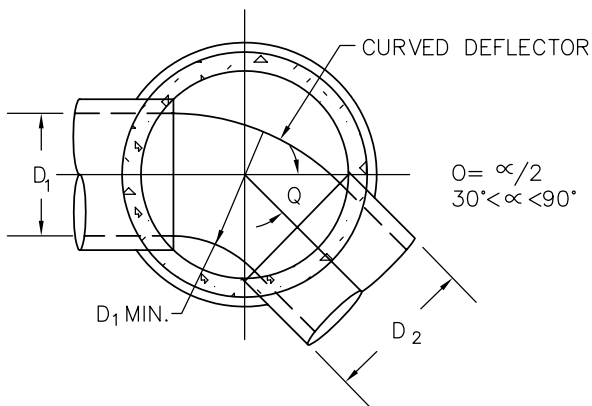
THROUGH PIPE



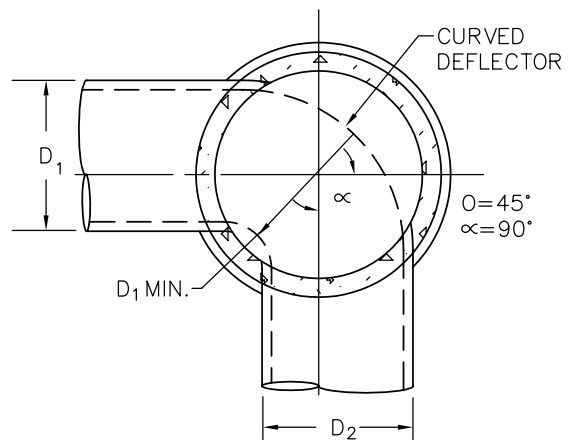
THROUGH PIPE
ONE COLLECTION LINE



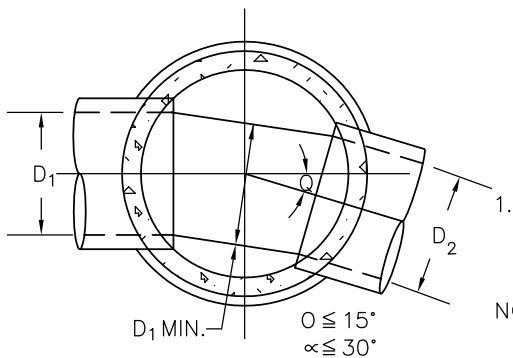
THROUGH PIPE
TWO COLLECTION LINES



INTERMEDIATE ANGLE

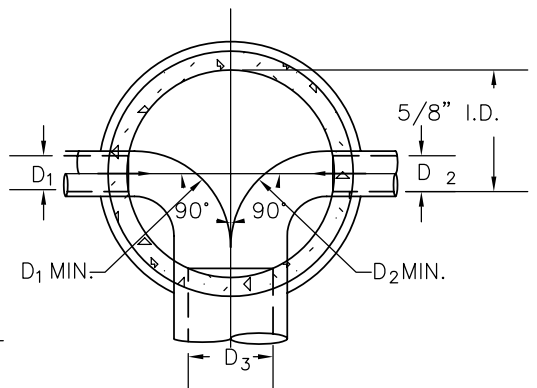


SHARP ANGLE



INTERMEDIATE ANGLE

NOTE:
 DETAILS SHOWN ARE TYPICAL
 ONLY FOR INSTALLATIONS
 WITH A MAXIMUM OF UP TO
 18 INCH DIFFERENCE IN INVERTS.



OPPOSED LATERALS
 (INSIDE DROP)

Kennedy/Jenks Consultants

Engineers & Scientists

143 Union Boulevard
 Suite 600
 Lakewood, CO 80228
 303 985 3636 TEL
 303 985 3600 FAX



SOUTH ARAPAHOE
SANITATION DISTRICT

www.southarapahoe.org

**MANHOLE BASE
 AND DEFLECTOR
 DETAIL**

DRAWING NO.: SASD-PUB-12S DATE: 5/08