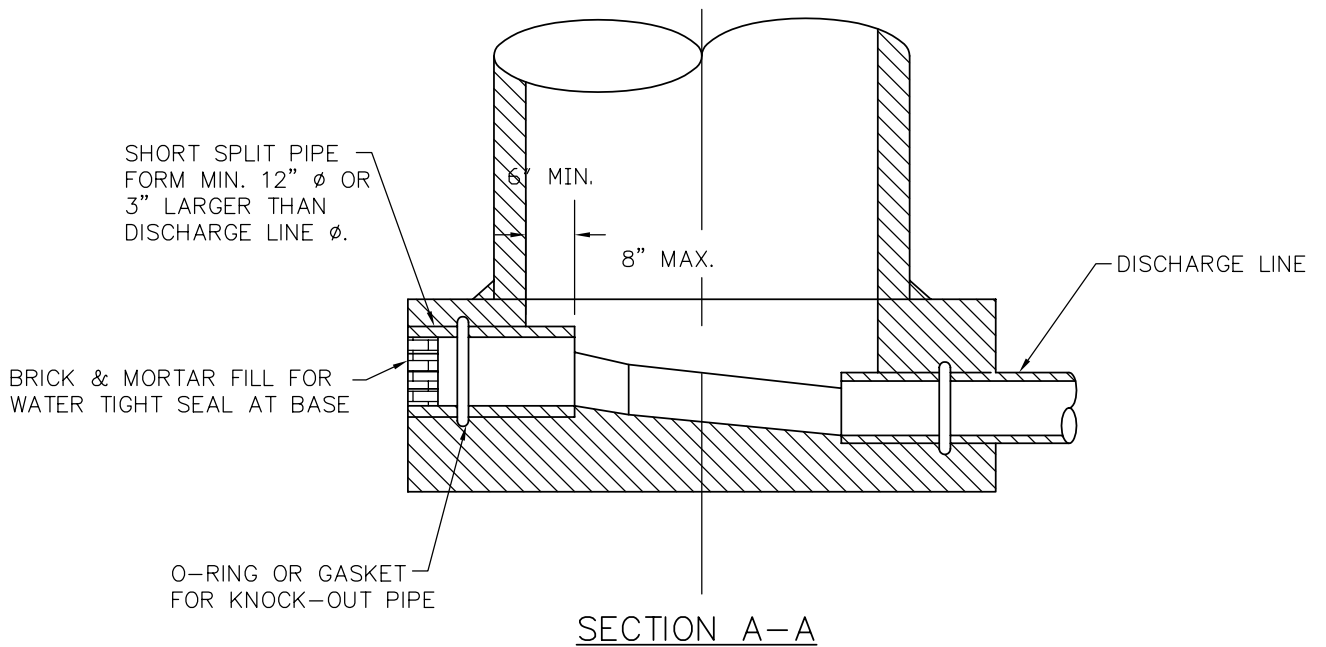


NOTE:
 "KNOCK-OUT" OPENING IN BASE SHALL BE FORMED WITH A SHORT PIECE OF "SPLIT PIPE" AND BENCH FORMED ACCORDINGLY. THE PIPE SHALL BE A MINIMUM OF 12" IN DIA. OR 3" LARGER THAN THE DISCHARGE LINE SIZE. AN "O" RING GASKET SHALL BE USED ON THE LINE TO FORM A GASKET "KEY" FOR USE WHEN THE FUTURE PIPE IS CONSTRUCTED. AFTER THE CONCRETE HAS SET THE "SPLIT PIPE" SHALL BE BROKEN OUT AND THE HOLE CLOSED WITH BRICK AND MORTAR.



No. XREFs
 I: \Key_Std\SAS\Details\dwg\Sasd-PUB-13s.dwg

Kennedy/Jenks Consultants
 Engineers & Scientists

143 Union Boulevard
 Suite 600
 Lakewood, CO 80228
 303 985 3636 TEL
 303 985 3600 FAX



SOUTH ARAPAHOE
 SANITATION DISTRICT
 www.southarapahoe.org

**KNOCK-OUT
 MANHOLE DETAIL**

DRAWING NO.: SASD-PUB-13S DATE: 5/08