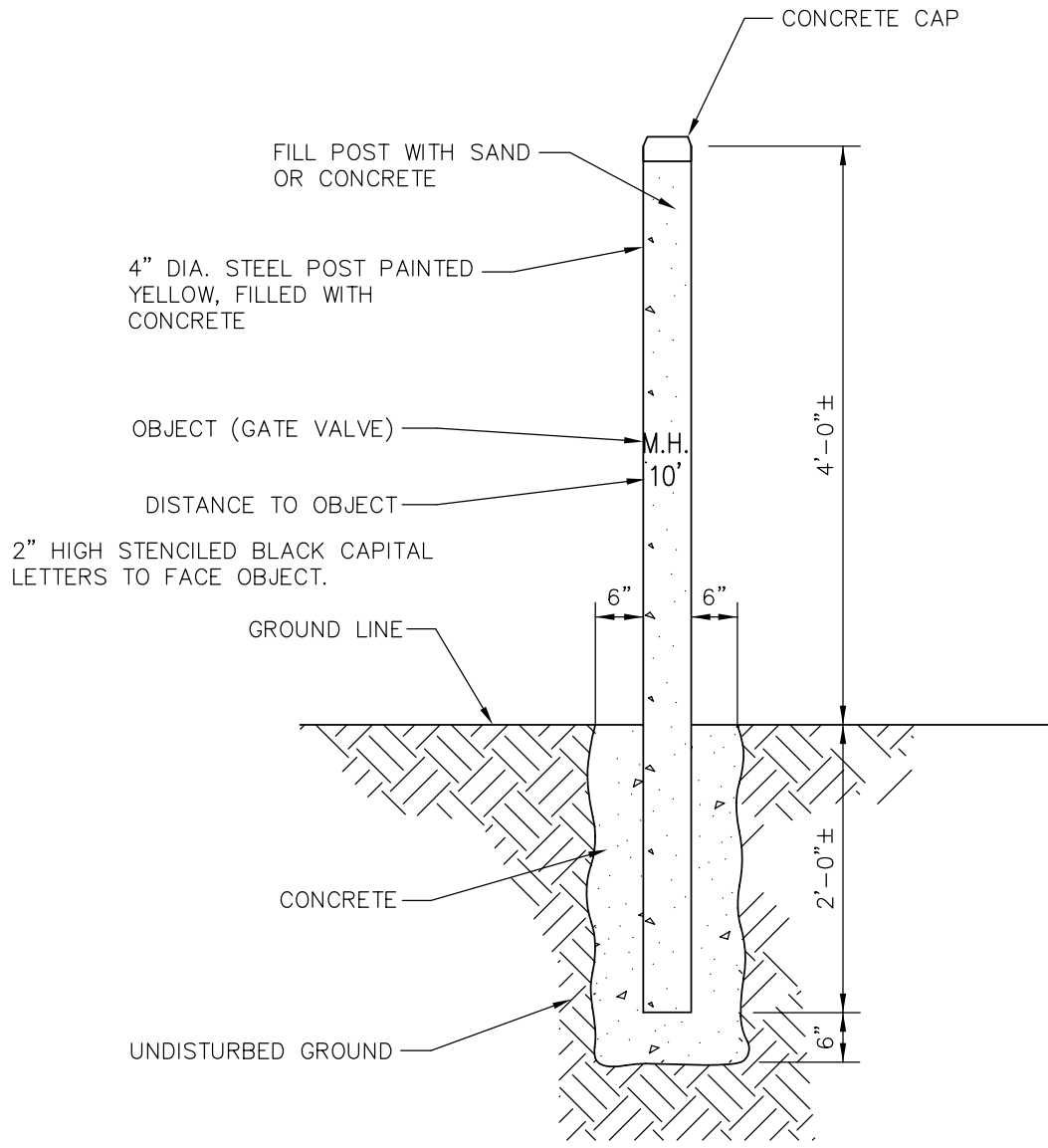


No_XREFs
I:\Key_Std\SAS\Details\dwg\Sasd-PUB-15s.dwg



Kennedy/Jenks Consultants
Engineers & Scientists

143 Union Boulevard
Suite 600
Lakewood, CO 80228
303 985 8636 TEL
303 985 8800 FAX



SOUTH ARAPAHOE
SANITATION DISTRICT

www.southarapahoe.org

**STANDARD STEEL
MARKER POST**

DRAWING NO.: SASD-PUB-15S DATE: 5/08