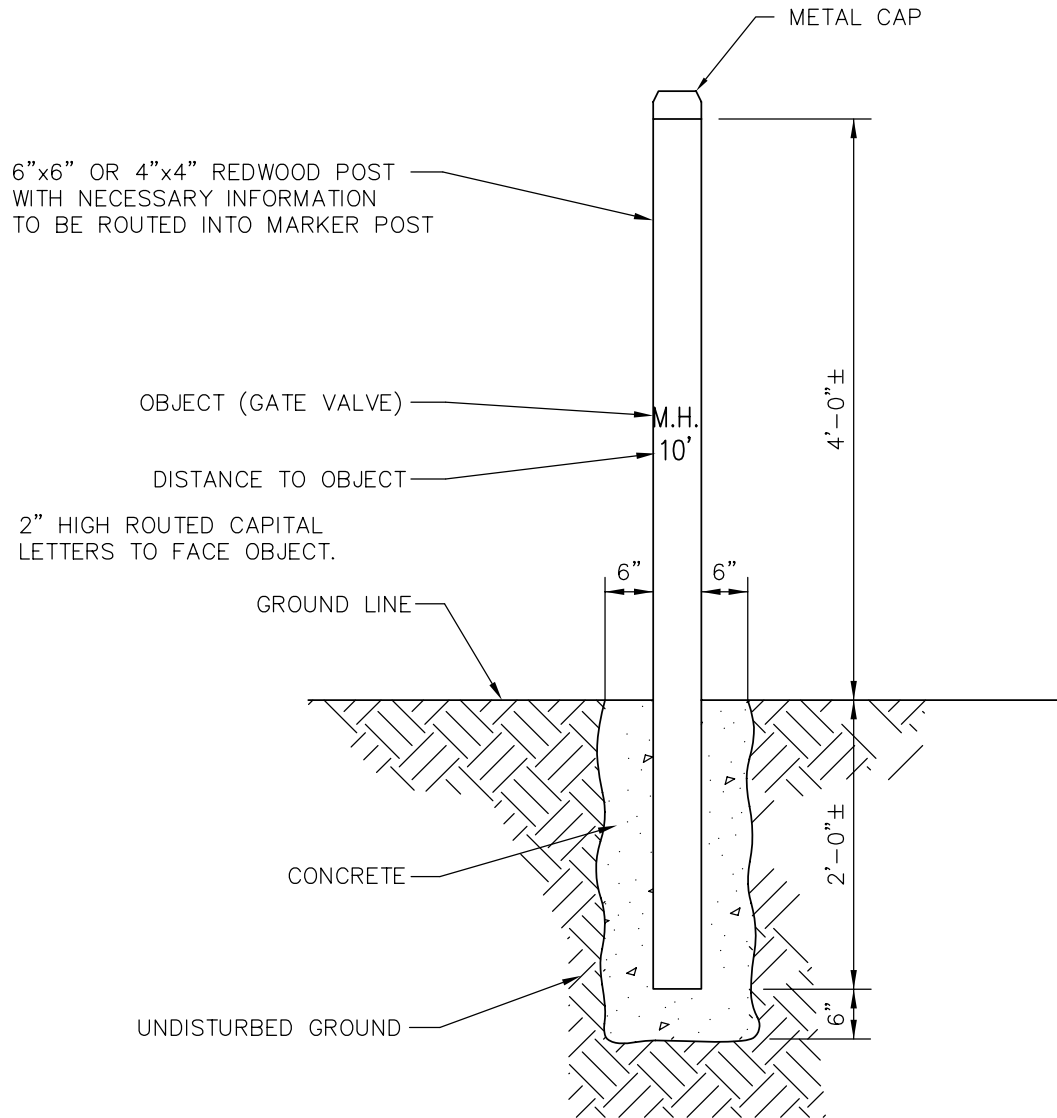


No XREFs
i:\Key_Std\SAS\Details\dwg\Sasd-PUB-16s.dwg



Kennedy/Jenks Consultants
Engineers & Scientists

143 Union Boulevard
Suite 600
Lakewood, CO 80228
303 965 3636 TEL
303 965 3800 FAX



SOUTH ARAPAHOE
SANITATION DISTRICT
www.southarapahoe.org

**REDWOOD
MARKER POST**

DRAWING NO.: SASD-PUB-16S DATE: 5/08