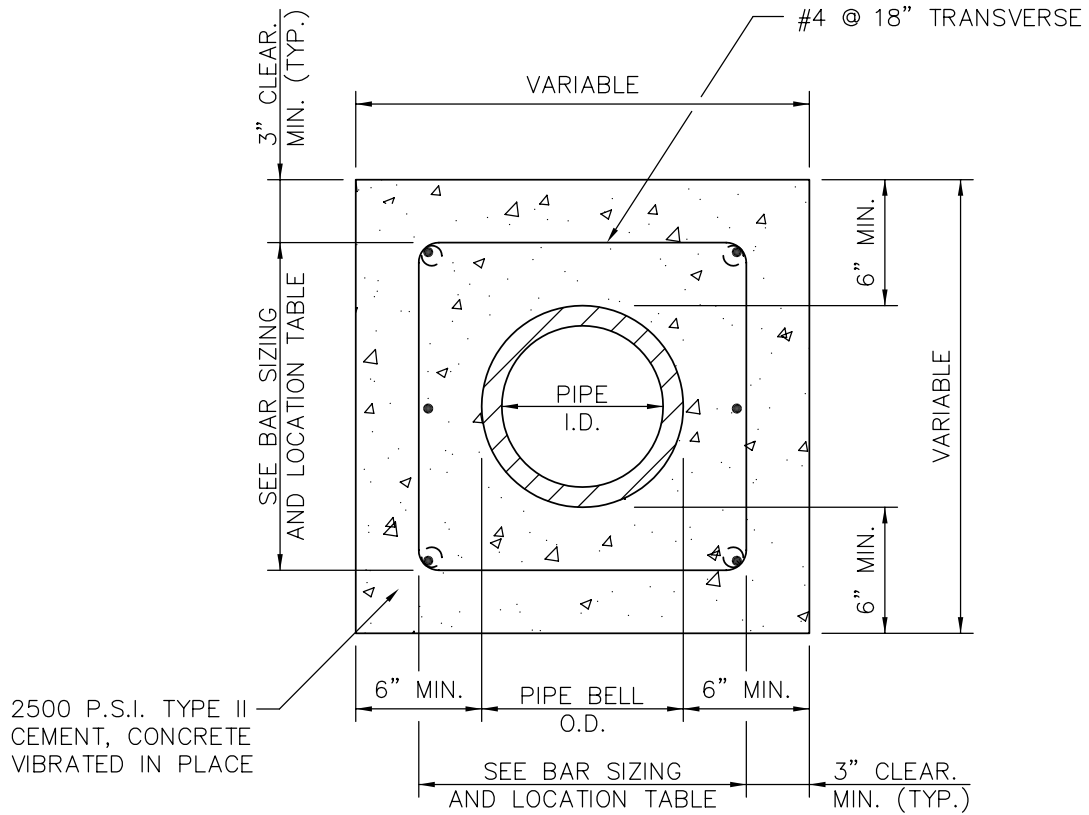


No. XREFs  
I:\Key\_Std\SAS\Details\dwg\Sasd-PUB-18s.dwg



### REINFORCEMENT STEEL

PIPE I.D.	LONGITUDINAL BARS – LOCATION		
6 IN.	4-NO. 4 BARS	1 EACH	CORNER
8 IN.	4-NO. 4 BARS	1 EACH	CORNER
10 IN.	8-NO. 4 BARS	3 EACH	SIDE
12 IN.	8-NO. 4 BARS	3 EACH	SIDE
15 IN.	8-NO. 4 BARS	3 EACH	SIDE
18 IN.	8-NO. 4 BARS	3 EACH	SIDE
21 IN.	12-NO. 4 BARS	4 EACH	SIDE
24 IN.	12-NO. 4 BARS	4 EACH	SIDE
27 IN.	12-NO. 4 BARS	4 EACH	SIDE
30 IN.	12-NO. 4 BARS	4 EACH	SIDE
33 IN.	12-NO. 4 BARS	4 EACH	SIDE
36 IN.	16-NO. 4 BARS	5 EACH	SIDE

**NOTES:**

1. USE THIS DETAIL ALSO FOR VERTICAL PIPE ENCASEMENT ON OUTSIDE DROP MANHOLES FOR PIPE AND FILLINGS OUTSIDE OF PRECAST MANHOLE.
2. THE DISTRICT SHALL REVIEW THIS DETAIL FOR USE ON A CASE BY CASE BASIS. SPECIAL ENCASEMENTS MAY BE REQUIRED AT CREEK CROSSINGS AND CONDUIT CROSSINGS.

**Kennedy/Jenks Consultants**  
Engineers & Scientists

143 Union Boulevard  
Suite 600  
LakeWood, CO 80228  
303 985 3636 TEL  
303 985 3600 FAX



**SOUTH ARAPAHOE**  
SANITATION DISTRICT  
www.southarapahoe.org

**CONCRETE  
ENCASEMENT  
DETAIL**