

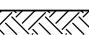
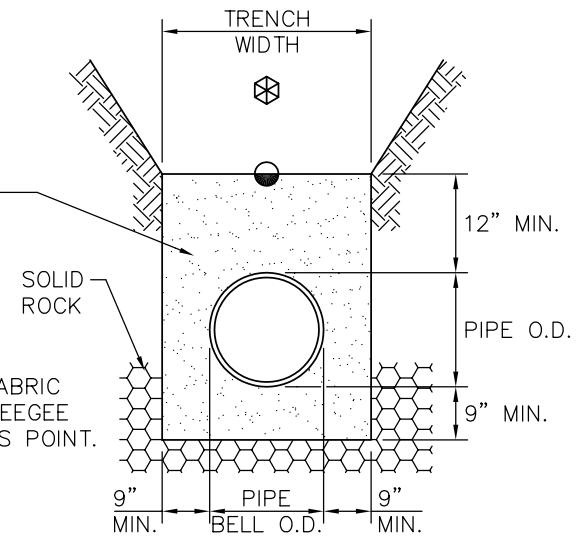
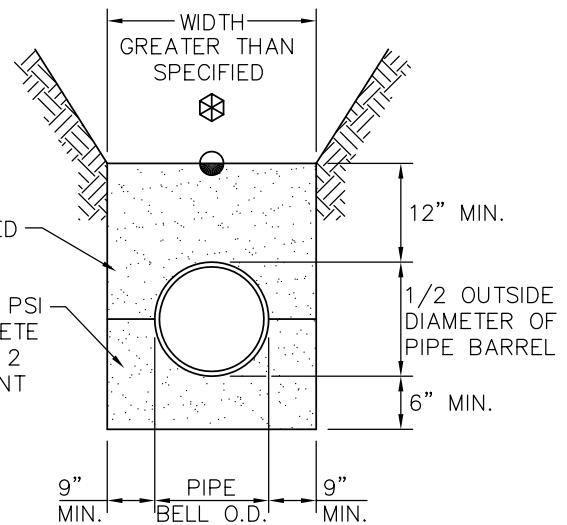


**UNSTABLE SUBGRADE**

-  MACHINE COMPACTED TRENCH BACKFILL
-  LIMITS OF SLOPING OR BENCHING OF TRENCH WALLS
-  UNDISTURBED GROUND



**PIPE BEDDING IN ROCK TRENCH**



**TRENCH OVERWIDTH**

**NOTES:**

1. MIN. COVER TO BE BELOW FINAL STREET GRADE.
2. TRENCH TO BE BRACED OR SHEETED AS NECESSARY FOR THE SAFETY OF THE WORKMEN AND PROTECTION OF OTHER UTILITIES IN ACCORDANCE WITH APPLICABLE LOCAL, STATE AND FEDERAL REQUIREMENTS.
3. TRENCH WIDTH SHALL NOT BE MORE THAN 16 INCHES NOR LESS THAN 12 INCHES WIDER THAN THE LARGEST OUTSIDE DIAMETER OF THE PIPE LAID THEREIN (BELL OR COUPLING O.D. IF APPLICABLE).
4. COMPACTION SHALL BE AS FOLLOWS: PIPE ZONE BEDDING 9 INCHES UNDER AND 12 INCHES OVER PIPE WILL REQUIRE 70% RELATIVE DENSITY, TRENCH ZONE ABOVE BEDDING MATERIALS, FULL TRENCH SECTION IN ROADWAY OR STREET R.O.W. LIMITS WILL REQUIRE 95% S.P.D. TRENCH ZONE ABOVE BEDDING MATERIALS, OUTSIDE OF STREET R.O.W. WILL REQUIRE 90% S.P.D.

No XREFs I:\Key\_Std\SAS\Details\dwg\Sasd-PUB-2s.dwg

**Kennedy/Jenks Consultants**  
Engineers & Scientists

143 Union Boulevard  
Suite 600  
LakeWood, CO 80228  
303 985 3636 TEL  
303 985 3600 FAX



**SOUTH ARAPAHOE**  
SANITATION DISTRICT

www.southarapahoe.org

**SPECIAL BEDDING  
DETAILS**