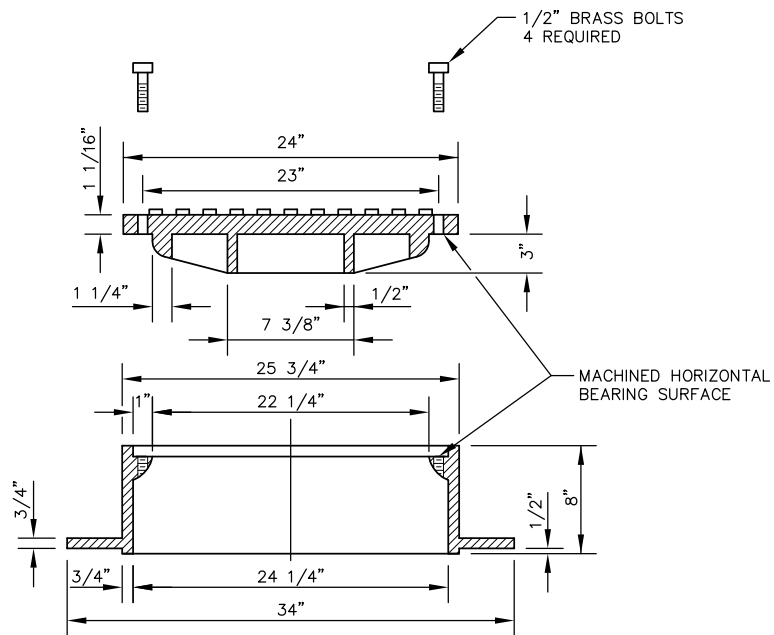


PLAN



SECTION A-A

NOTE:

1. CASTING SPECIFICATIONS: ASTM A-48 WITH A MINIMUM TENSILE STRENGTH OF 25 KSI (CLASS 25) PER CITY OF CENTENNIAL STANDARDS
2. ALL CASTINGS TO BE DIPPED IN ASPHALTBASE PAINT (OR APPROVED EQUAL)
3. TOP OF MANHOLE COVER SHALL BE 1/4" TO 1/2" BELOW GRADE OR PER CITY/COUNTY REQUIREMENTS
4. CASTINGS SHALL BE AS SPECIFIED BELOW OR EQUAL: (CAST IRON ONLY)
5. COVER SHALL HAVE SELF CENTERING BOLT HOLES.

MANUFACTURES
J MARK CORP. CAT. #

C-1161

No_XREFS
I:\Key_Std\SAS\Details\dwg\Sasd-PUB-9s.dwg

Kennedy/Jenks Consultants
Engineers & Scientists

143 Union Boulevard
Suite 600
Lakewood, CO 80228
303 985 9636 TEL
303 985 3800 FAX



SOUTH ARAPAHOE
SANITATION DISTRICT
www.southarapahoe.org

**24" RING & BOLT
DOWN COVER
DETAIL**